



LIVE YOUR DREAM

Live Your Dream



You know the feeling...

Out for a drive and –
suddenly – you spot it...

an elegant log home.

Nestled among the trees,
it seems to be an extension of the natural landscape.

You imagine, for a moment,
you and your family
living in such an exquisite home.

And, you get that feeling again...
knowing, beyond a doubt,
that a log home is

...your “dream home.”

The North Bay





The Concord



CEDARCRAFT LOG HOMES

We're in the business
of making your
**dreams
come
true.**

At **Cedarcraft Log Homes**, we design and build much more than log homes...we make your dream home a reality.

Using **high-quality northern white cedar** or western red cedar logs, our crews of **skilled Amish craftsmen** construct your new home to your specifications. Choose from more than **30 unique floor plans**, or take advantage of our **custom design services**.

Let us show you why **northern white cedar**, our specialty, **is far superior** to any pine – ensuring that your new home is as **durable** as it is **beautiful**. And, because your cedar logs come direct from the mill, you are assured a superior cedar log home at a surprisingly **affordable price**.

With **over 20 years of experience** helping home buyers fulfill their dreams, we can answer all of your questions and provide the **very best in quality and service**.

Cedarcraft Log Homes: Northern white cedar elegance at affordable prices – and helping you **build the log home of your dreams**.

Cedar is simply better than pine

If you've been exploring log home options, you've learned that the majority of log home companies use pine logs.

We at Cedarcraft, on the other hand, suggest that you consider the **higher quality** and **breathtaking beauty** of **northern white cedar** for your new home.

The Geneva



The Burton



The Hudson



The Auburn



Naturally resistant to nature's elements

No shrinking or settling problems

Durability

Highest insulating of all wood

Competitive pricing

Value

Bright, **warm interiors**

Exquisite and **enduring exteriors**

Beauty

Custom home designs; log styles; roof, floor and corner options

Northern white cedar, red cedar, white pine

Options

Durab

Choose northern white cedar for your exterior features such as porches and decks. It is naturally resistant to nature's deteriorating elements like moisture, decay and insect damage.

The value of a cedar chest!

Where do people choose to store fine linens and clothing?

In a cedar chest or cedar closet, because **cedar "keeps the bugs away."**

In fact, cedar shavings are often used in pet bedding because cedar keeps fleas at bay.

Cedar is also resistant to dampness and mildew.

Think: Have you ever seen a pine bench in a steam bath or sauna? No! Whether it's a pine mailbox, picnic table, or fence – it has to be "Wolmanized" (chemically treated) if it is going to last outdoors.

Cedar is superior!



The Madison

Resistant to nature's elements

When you select northern white cedar, you've chosen a wood that is **naturally resistant to all of nature's elements** – insects, mildew, weather, and more. "Naturally resistant" means there is **no need to apply chemical preservatives or insecticides** to your home.

However, pine logs need to be "dip treated" in chemicals due to the molecular makeup of the wood, and require a costly and time-consuming chemical maintenance program. Treated pine logs can release chemicals into the air you breathe in your home – this process is called "out gassing." If you have concerns about the indoor environment of your new home, **northern white cedar is the clear choice.**

No shrinking or settling problems

Northern white cedar logs can be up to 150 to 175 years old. The slow, steady growth of cedar and its "closed cell" structure make it a **stable, durable wood** for your dream home. Cedar, like cork, **will not absorb water** and become water logged, which could lead to warping and the growth of mold and mildew, resulting in decay.

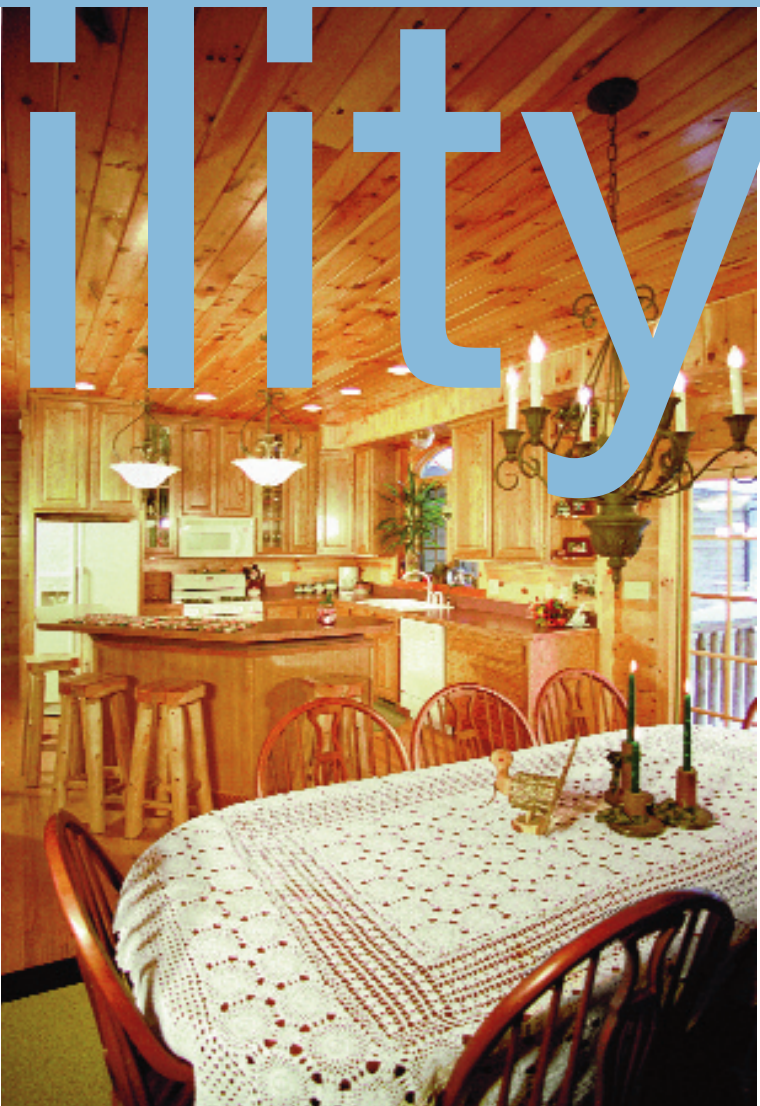
By choosing northern white cedar, you avoid the serious shrinking, settling, twisting and checking problems that can occur in pine log homes. Pine is basically a fast-growing tree (only 18 to 20 years) that has a high moisture content. When the pine trees are milled into logs, the wood continues to lose moisture. Serious checking also occurs when pine logs are kiln-dried to reduce moisture content.

With its **superior dimensional stability**, your northern white cedar log home will endure for generations. Bottom line: **Northern white cedar is the wise choice.**

Durab

Optional decorative log rafters add a rustic touch to vaulted ceilings.



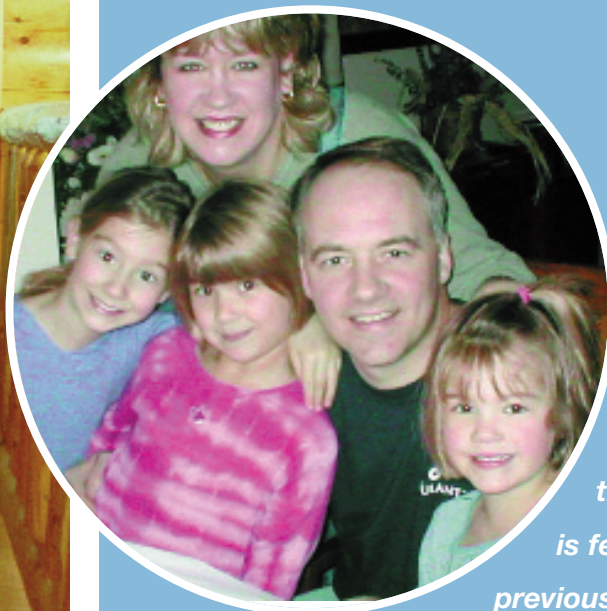


The Young Family

During a severe windstorm, the Young family experienced the storm's fury firsthand. Strong winds uprooted an 80-foot tree, sending it **crashing onto the front of their cedar log home** – directly over their sleeping daughter's bedroom.

"This house actually held this massive tree up," explains Marylyn. "Aside from a few missing shingles, we had no other damage." According to Marylyn, Cedarcraft's Amish crew replaced the shingles within two-days' time.

"We feel even safer now – knowing **the house really is solid and sturdy.**"



The exterior of the Young's home is featured on the previous spread.

**Choose northern white cedar
and Cedarcraft Log Homes:
The highest quality wood and
mill-direct pricing.**

Don't buy cedar from a pine company!

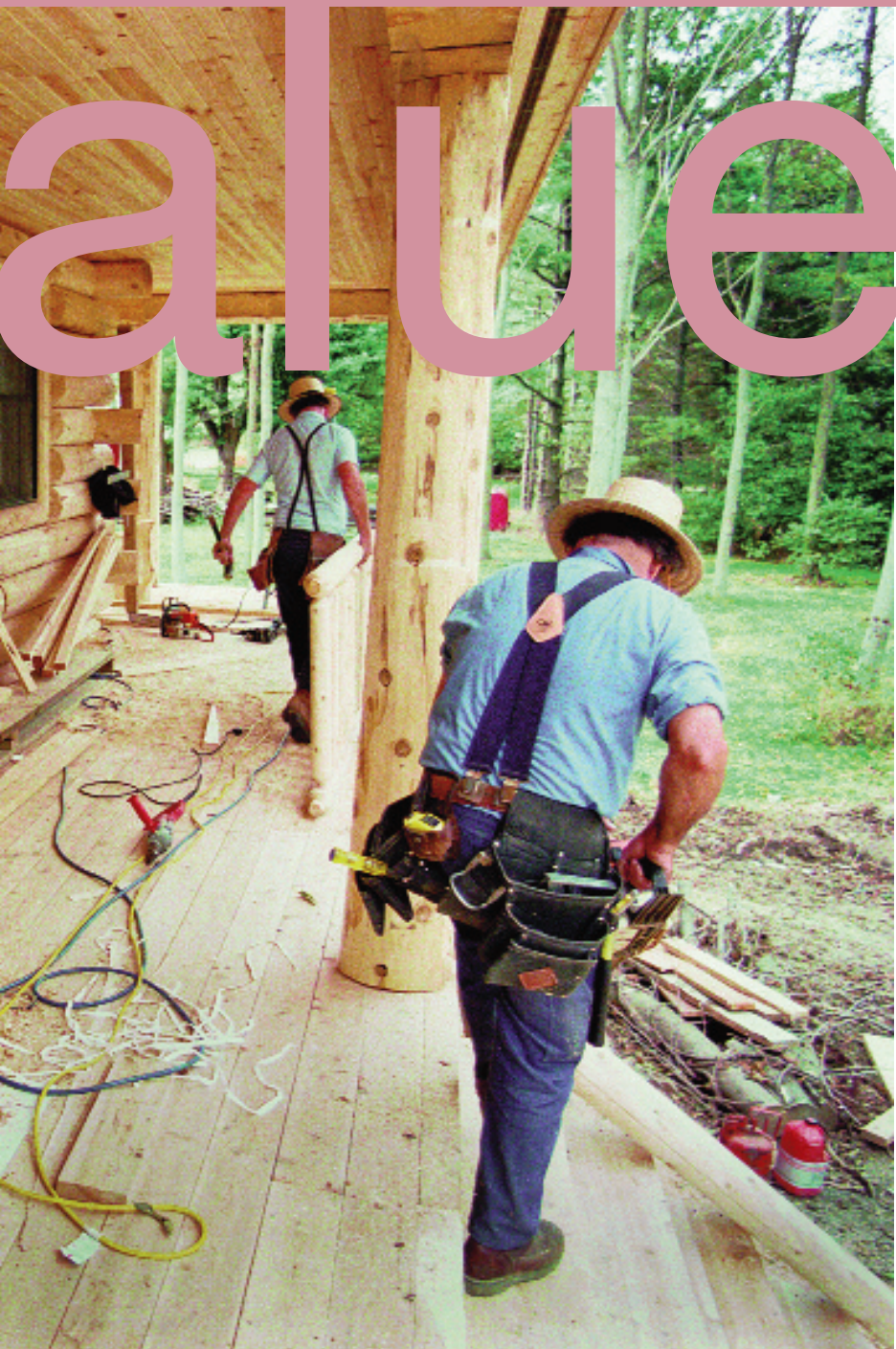
As you've been researching log home options, you may have heard that cedar is much more expensive than pine. That is true if you buy cedar from a pine company! **Cedarcraft Log Homes specializes in northern white cedar** – and that makes all the difference!

Our **mill-direct prices** on northern white cedar are guaranteed to be the lowest. In fact, often times our prices on cedar homes are equal to or lower than that of other companies' pine home pricing.

So, why settle for pine when you can afford the best! Choose northern white cedar.



**Mill
Direct**



Value

Highly insulating

Because it is a slow growing tree, cedar has a “closed cell” structure, making it **resistant to moisture and decay**. This also means that your cedar log home has the **highest insulating R-value possible** among all wood options. And, because cedar log homes do not have shrinking and settling problems, you can expect a **solid and airtight home for years** to come. Log walls provide an insulation barrier – keeping your home **warmer in winter and cooler in summer**.

Competitive pricing

We know that northern white cedar is superior to pine – and we make it an **affordable choice** for you. Not only will you **save money on heating and maintenance costs** over the years, you can **save upfront on construction costs** as well by using one of Cedarcraft’s skilled Amish crews that are available in many areas.

Cedarcraft purchases its northern white cedar logs **directly from mills** in the upper Great Lakes region of the United States and Canada. We cut out the middlemen – ensuring you the most **affordable wholesale prices**. The end result: You get the **highest quality wood at the lowest price available**.



Choose northern white cedar and Cedarcraft's Amish crews to construct your dream home to last a lifetime.

Beautiful white pine ceilings are a standard feature included in all packages.



Value



The Bezzeg Family

The Bezzeg family had Cedarcraft build their 3,400-square-foot “dream home” on a spacious lot that offers beautiful views whether lounging on the front porch or relaxing on their spacious deck.

“We were thinking of building a conventional ranch house – and thought that our dream of a log home had to stay on the back burner,” says Cheryl Bezzeg. “When we found Cedarcraft, we felt comfortable right from the start – and found **the construction process positive and easy.**”

According to her husband Chris, they were **pleasantly surprised by the low heating costs.** “We knew that **cedar logs would provide good insulation,** but this has **exceeded our expectations!** For us, the **value of working with Cedarcraft** is that the crews built our home as if they were building their own.”



For the same price as pine, our stunning mosaic of character-grade hardwoods creates rich, warm floors throughout your dream home.



The exterior of the Bezzeg’s home is featured on the cover.

Be

*Choose northern white cedar:
The greater number of growth
rings per inch results in a beautiful
grain appearance.*

Welcome Home
to the beauty of
northern white cedar.
*Log homes provide warmth,
simplicity, and a charm all of their own.
Whether you choose a rustic,
contemporary, or elegant home
style – your cedar log home
will be an inviting and
comfortable haven.*

auty

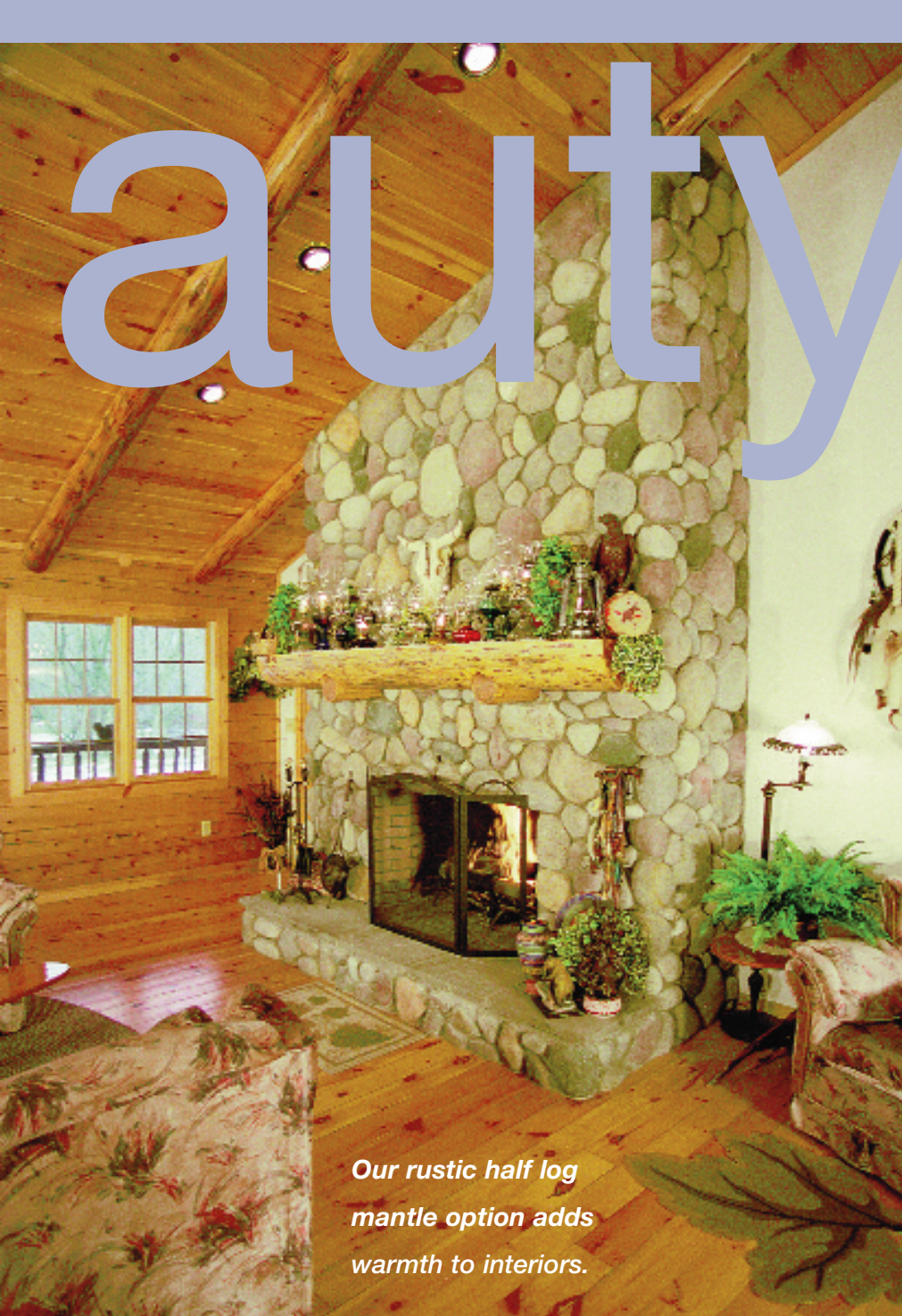
Bright, warm interiors

It's quite simple really: Nothing compares to the **rustic yet elegant** look of a northern white cedar log home.


Although we offer western red cedar, we highly recommend using northern white cedar. Its **beautiful golden hue** ensures warm and bright interiors no matter the season. And, the slow, steady growth of cedar trees results in a **rich elegant grain**.

Exquisite, enduring exteriors

Once your home is built, to protect the exterior from being "bleached out" by the sun's ultra violet rays, we apply a "U.V. blocker" stain. Although the U.V. blocker is available in a range of colors, most of our customers prefer a **light golden color** stain, which enhances **the beauty of the wood**, yet allows the grain to show through.



Our rustic half log mantle option adds warmth to interiors.



White cedar posts, rails and spindles are standard.

*The West Bay
featuring our beautiful
10" cedar half log system.*

Be



auty

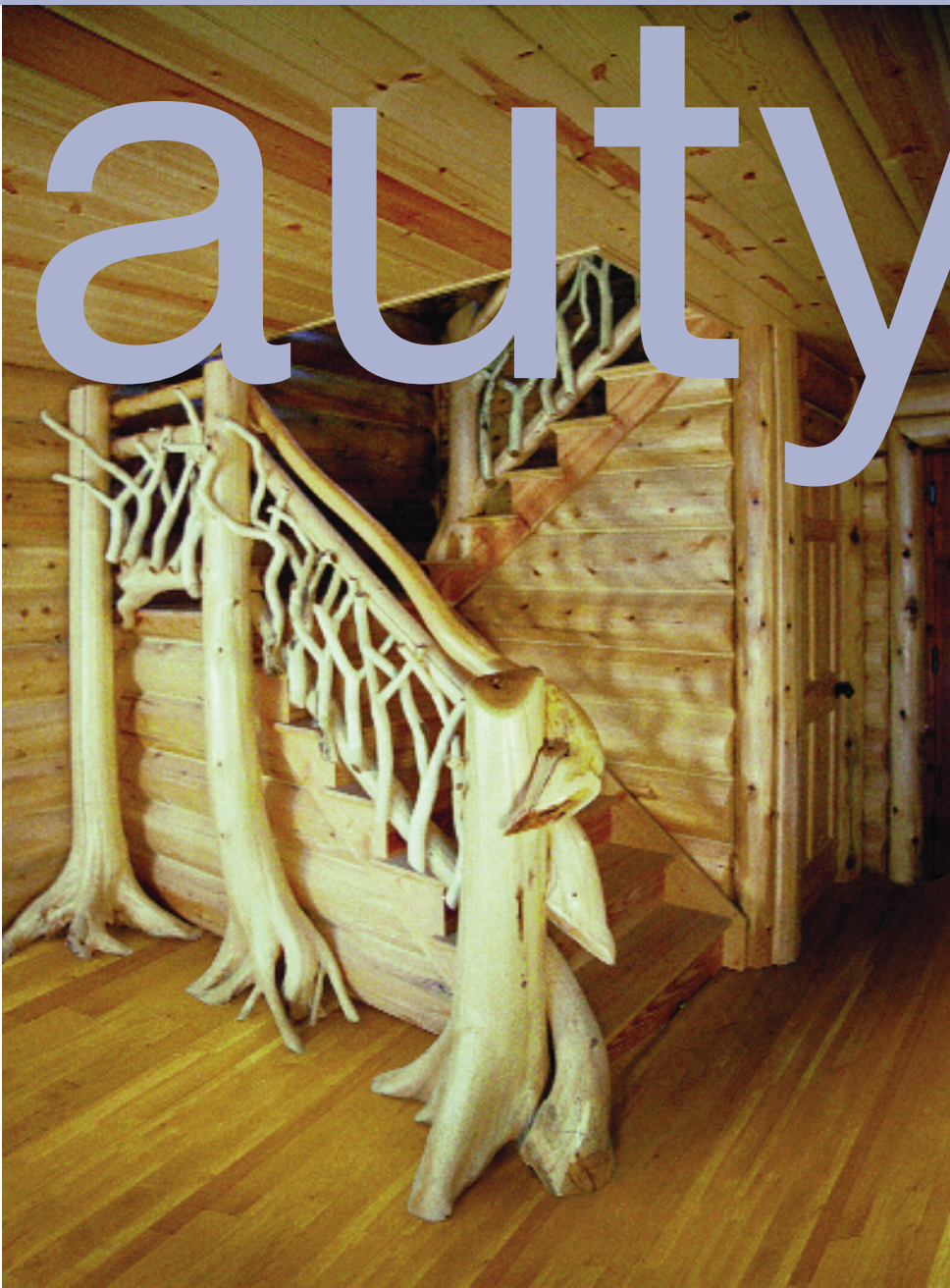
The Capucini Family

Tucked away amidst the trees on Kelly's Island (Ohio) nestles the vacation dream home of Steve and Kathy Capucini. Just a half-hour boat ride from their house and daily lives in Huron, the breathtaking cedar log weekend getaway is **gorgeous year-round**.

"We wanted a rustic 'old lodge' feel to our home – complete with large, 10" logs," explains Kathy. Cedarcraft was able to provide the larger logs we wanted, as well as **provide us with a custom design** that helped ensure our home plan included **all the features we dreamed of** within the confines of our small, irregular-shaped lot."

The result? The Capucini's 2,500-square-foot home boasts a loft, three bedrooms, and a porch, taking full advantage of **lake views from the great room and wrap-around deck**.

"The setting just spoke to us, whispering 'log home.' It was the right choice. The natural materials used – **granite, wood, and stone** – blend into the environment beautifully."



Choose to build with northern white cedar using one of our unique floor plans or customize your own plan.

Op

Bring us your vision.

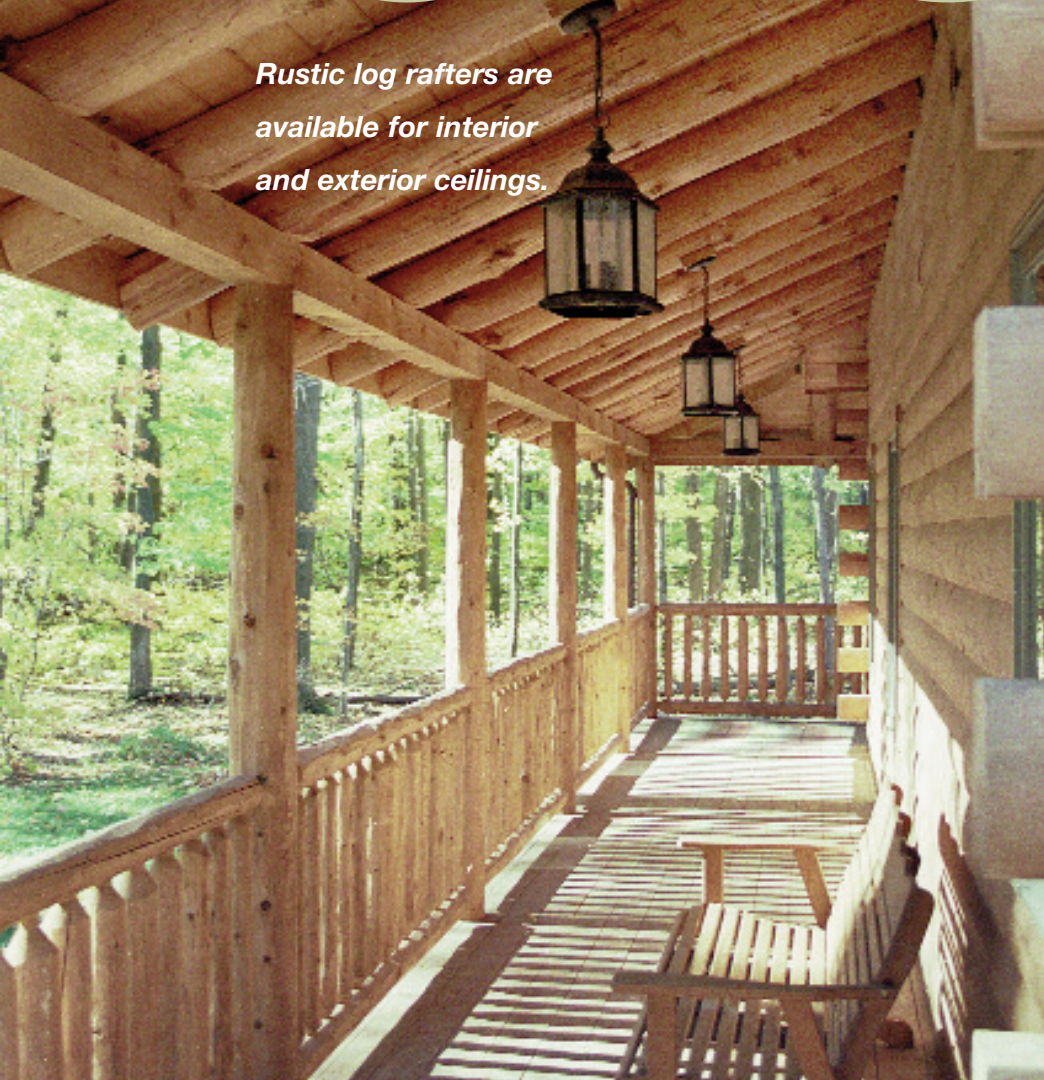
When **planning** your new log home, take time to **daydream**.

Bring us your vision, your wish list, your dreams. When choosing your floor plan and home style, consider the unique features of your site, plus your wants, needs and budget. Together, we will make it happen.

**Choose your dream...
choose northern white cedar...
then choose Gedarcraft.**

tions

Rustic log rafters are available for interior and exterior ceilings.



Choose from a variety of interior features such as stairs in rustic or conventional design.



You make the decisions, we'll make it happen

You'll find a home design that's just right for you and your family with our **many unique floor plans**, or **create the home of your dreams** with the help of our full **custom design services** team.

In many areas, we offer the choice of turn-key construction or shell-only, rough-in construction, if you prefer to finish the interior yourself.

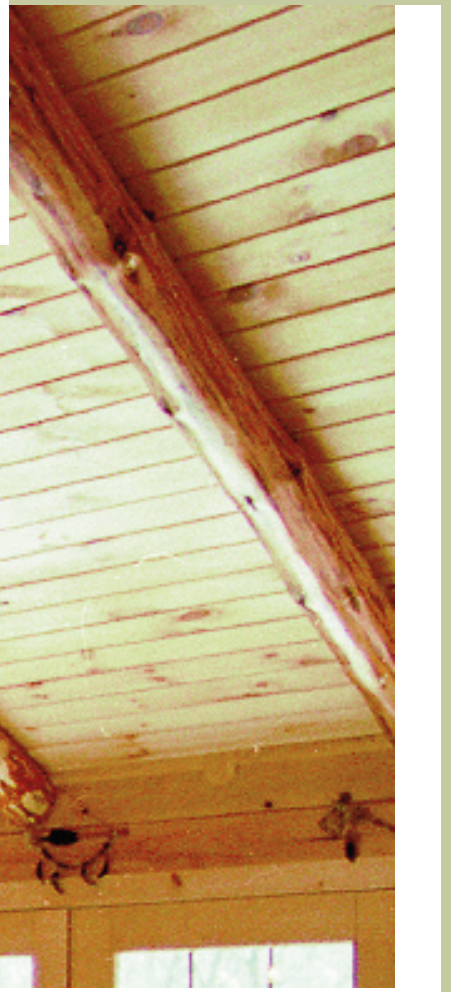
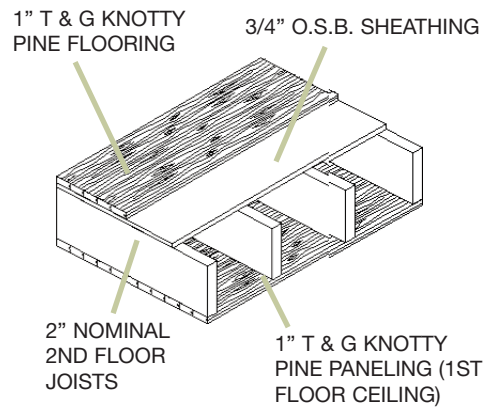
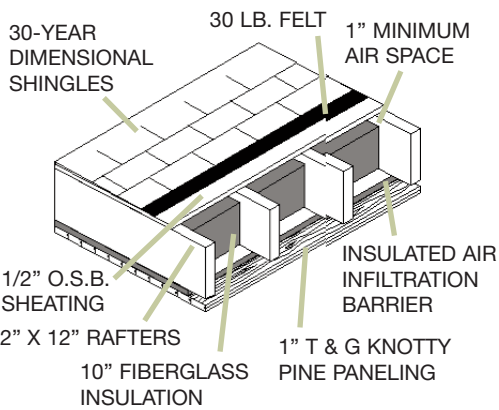
Cedarcraft offers **a variety of selections** – solid log, half log, and trim log for your walls – along with various corner options. You can also choose from our three different roof and second floor options. Although we recommend northern white cedar, high quality, chemical-free white pine or western red cedar logs are also available.

Roof and Second Conventional



Roof / Second Floor

(R-40) INSULATED ROOF



Conventional *with Decorative Rafters Option*

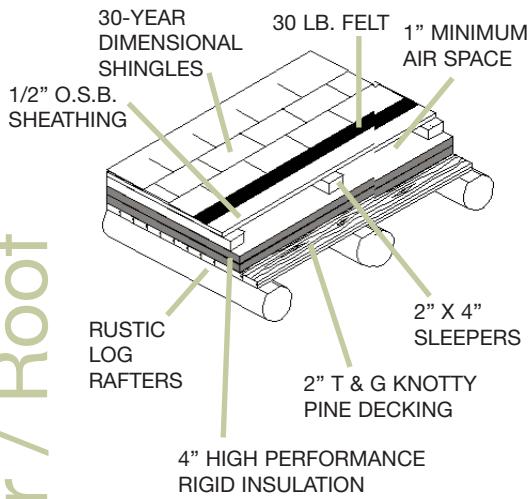


Floor Systems

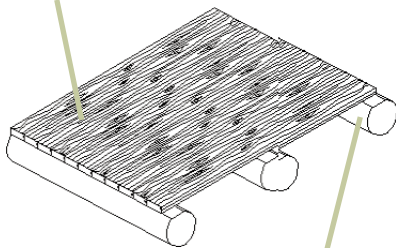
Rustic Log

Second Floor / Roof

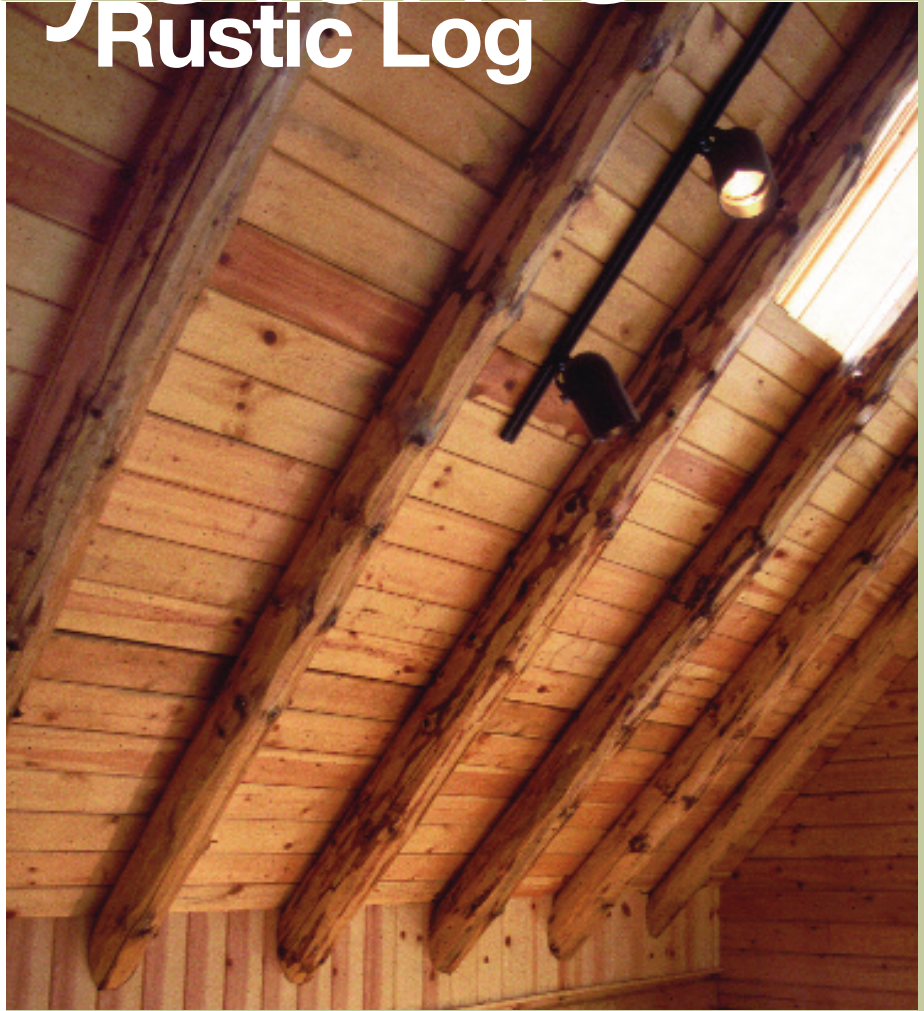
(R-34) INSULATED ROOF



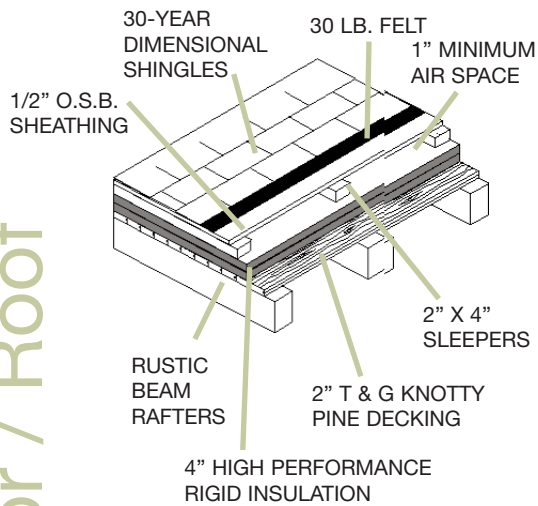
2" T & G KNOTTY PINE FLOORING & 1ST FLOOR CEILING



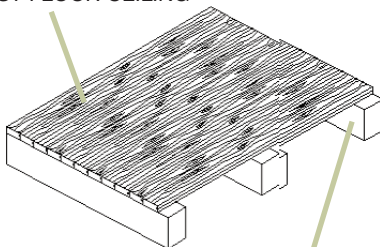
RUSTIC LOG 2ND FLOOR JOISTS



(R-34) INSULATED ROOF



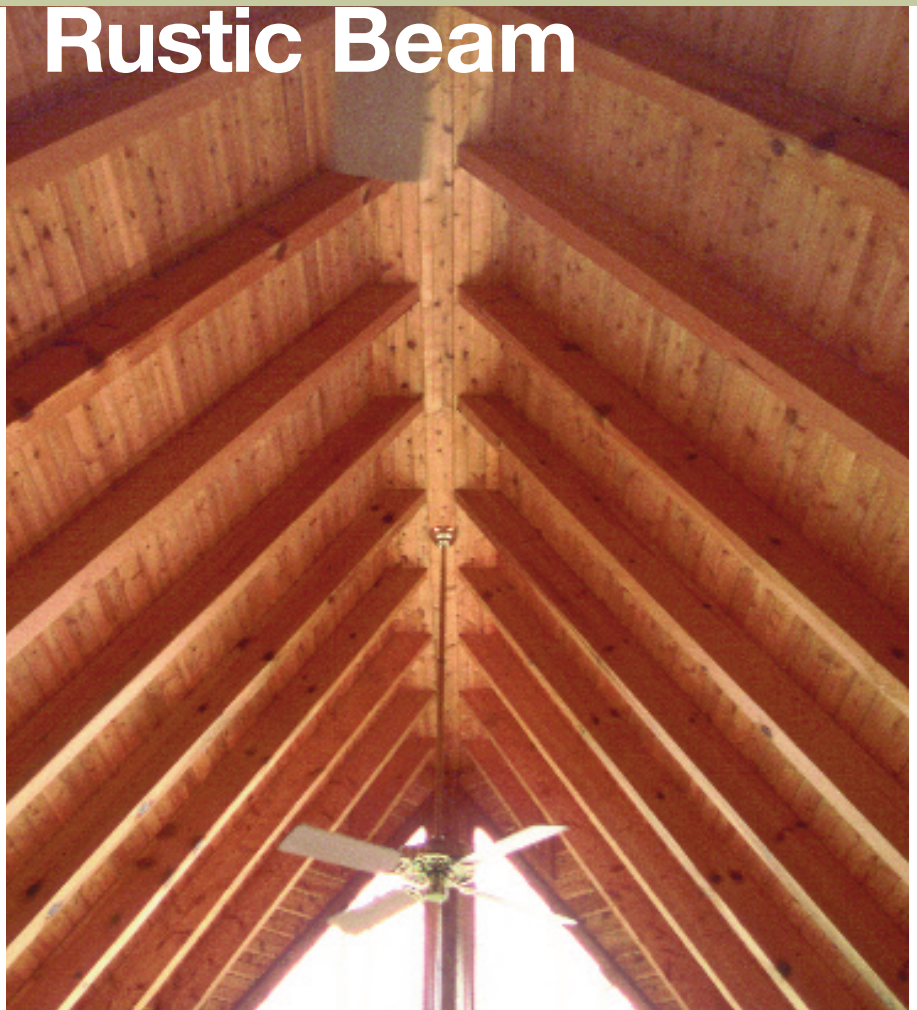
2" T & G KNOTTY PINE FLOORING & 1ST FLOOR CEILING



RUSTIC BEAM 2ND FLOOR JOISTS

Rustic Beam

Second Floor / Roof



Corner Systems

Butt and Pass



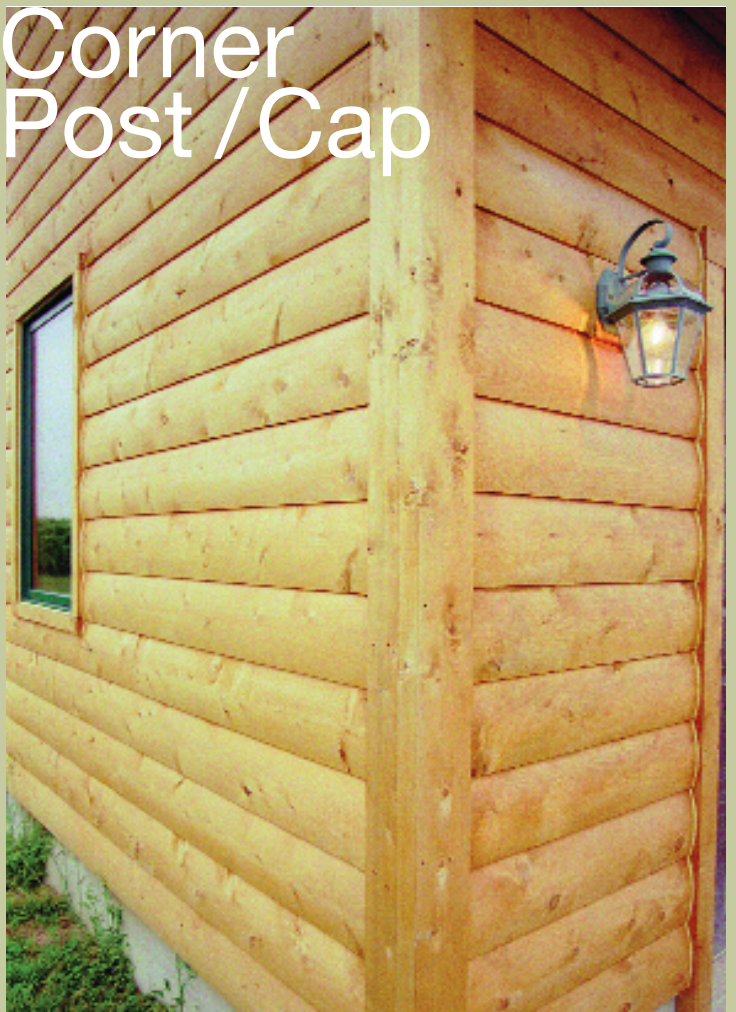
Saddle Notch



Dovetail



Corner Post / Cap



Northern White Cedar

No settling, warping or checking problems because of lowest shrinkage of all wood species.

Highest R value of all wood species, almost 30% higher than red cedar & pine.

Chemical free. A healthy home and no lifelong chemical maintenance programs required.

Naturally resistant to insects due to resins in wood.

Extremely decay resistant. Closed cell structure, like cork, will not absorb water allowing no mold or fungus growth inside logs.

Beautiful grain surface appearance due to slow growth (up to 175 years) resulting in numerous tight growth rings.

Note: Unlike Red Cedar, Northern White Cedar is non-allergenic – causing no allergy problems – and its light golden color results in brighter interiors.



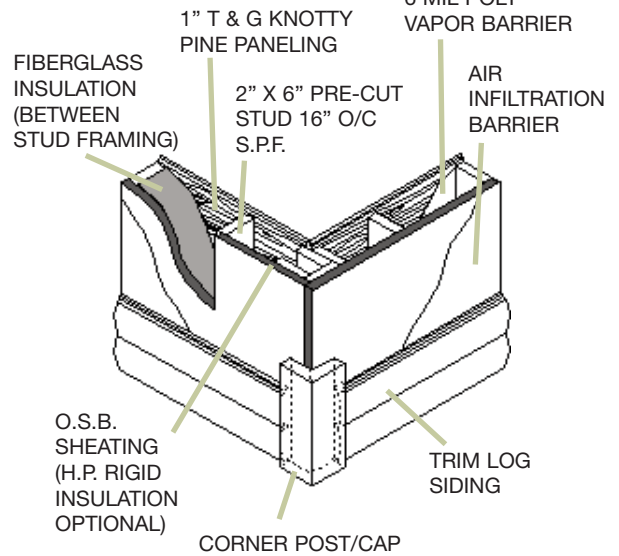
Surface Options



Wall Systems

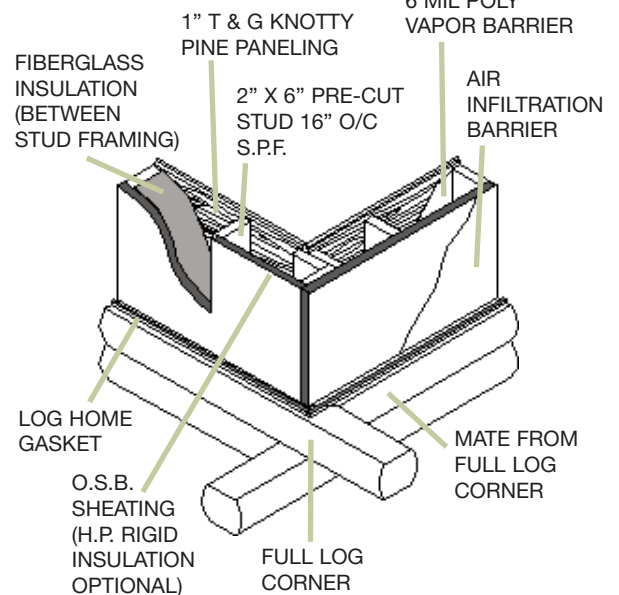
Trim Log

(Up to R-31)



Half Log

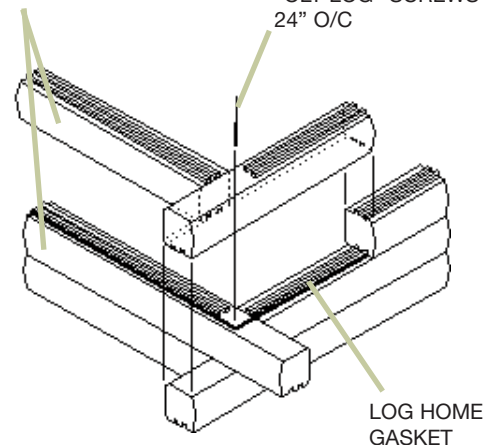
(Up to R-34)



Solid Log

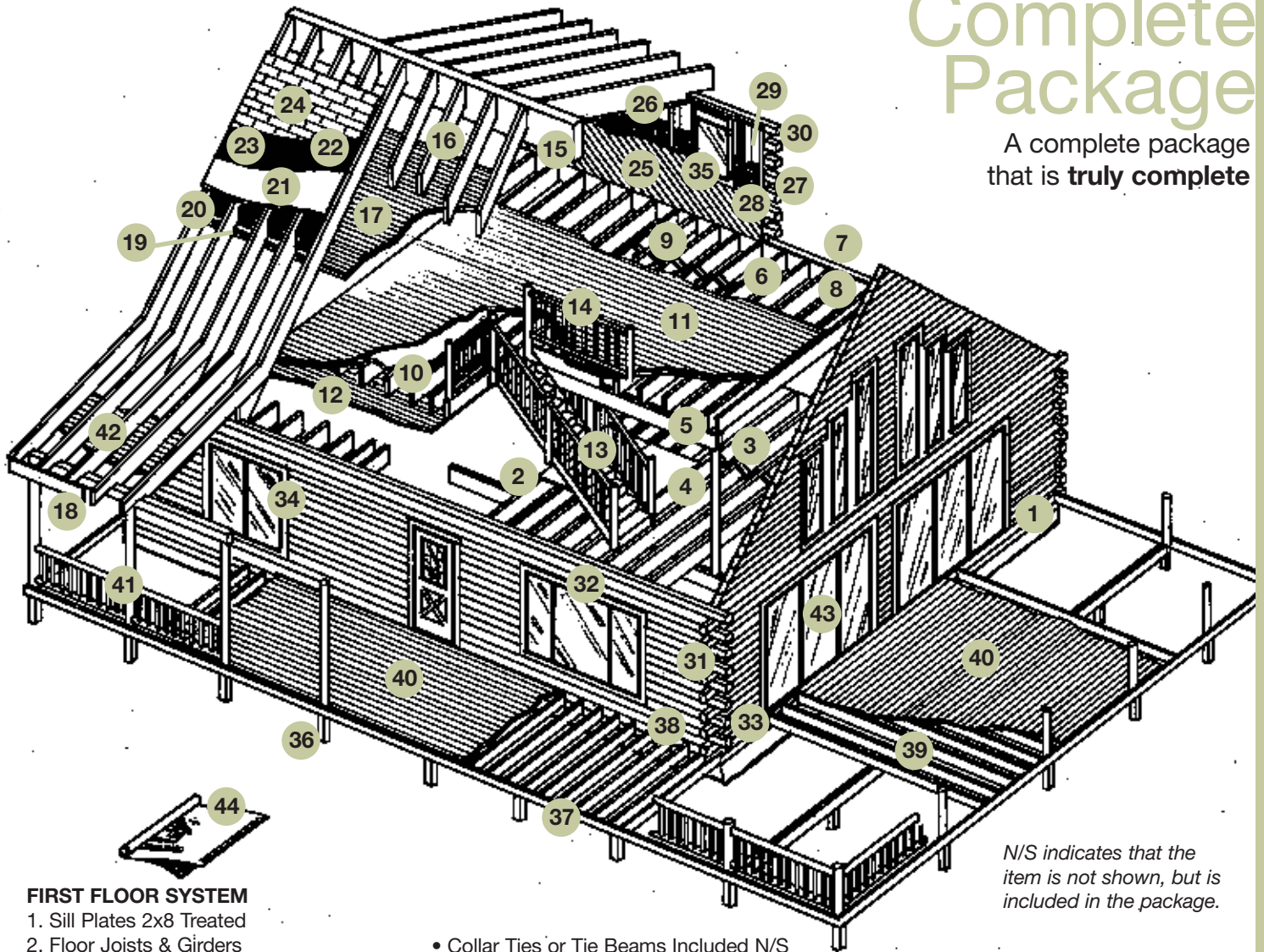
SINGLE OR DOUBLE TONGUE AND GROOVE SOLID LOGS

"OLY-LOG" SCREWS 24" O/C



Conventional Complete Package

A complete package that is truly complete



N/S indicates that the item is not shown, but is included in the package.

FIRST FLOOR SYSTEM

1. Sill Plates 2x8 Treated
2. Floor Joists & Girders
3. Bridging
4. Sub Floor 3/4" T & G Sheathing
 - Sill Seal Included N/S
 - Flashing Included N/S
 - Basement Stairs Included N/S
 - Jack Posts Included N/S

SECOND FLOOR SYSTEM

5. Built Up Columns & Girders
6. 2" Nominal Floor Joists
7. Rim Joists
8. Joist Hangers
9. Bridging
10. 3/4" T & G Sheathing
11. 1" T & G White Pine Flooring
12. 1" T & G White Pine 1st Floor Ceiling
13. Knotty Pine Stairs Included
14. Handcrafted White Cedar Posts, Railings & Spindles for Stairs & Loft Included

ROOF SYSTEM

15. Architectural Glu Lam Ridge Beam
16. 2" Nominal Rafters
17. 1" T & G White Pine Ceilings & Soffit
18. Cedar Fascia Board
19. Insulated Air Barrier
20. R-30 Fiberglass Insulation
21. 1/2" Roof Sheathing w/ Clips
22. Ice & Water Shield
23. 30 lb. Felt Paper
24. 30-Year Dimensional Shingles

- Collar Ties or Tie Beams Included N/S
- Ridge Vent Included N/S
- Soffit Vent Included N/S
- Drip Edge Included N/S

DORMERS

25. 1" T & G White Pine Paneling
26. 1" T & G White Pine Ceiling
27. 2x6 Stud Wall Framing
28. R-19 Fiberglass Insulation
29. 1/2" Exterior Sheathing & House Wrap
30. Cedar Log Siding (Full Corners Optional)
- All Roofing As Required

EXTERIOR WALLS

31. Solid Cedar T & G Logs
32. Header Logs for Over Windows & Doors
33. Cedar Trim Logs
34. 2x6 Cedar Exterior Window Trim
35. 1x4 White Pine Interior Window Trim
 - Log Gasket Included N/S
 - Joint Gasket Included N/S
 - Oly-Log Screws Included N/S
 - Exterior Log Walls Protective Stain Included N/S

INTERIOR PARTITION WALLS

- All Interior Partition Walls Included N/S
- All Interior Entrance Doors / Closet Doors & Hardware Included N/S
- All Interior Trim & Baseboard Included N/S

PORCHES & DECKS

36. 6x6 Treated Support Posts
37. Treated Rim Joists
38. 2x Hangers
39. 2x8 Treated Floor Joists
40. 2x6 White Cedar Decking
41. Handcrafted White Cedar Posts, Railings & Spindles
42. 1" T & G White Pine Ceiling
 - All Roofing as Required

WINDOWS & DOORS

43. High Performance "SMART - R" / Exterior Clad / Low E Glass w/ Full Screens

CUSTOM BLUEPRINTS

44. 10 Full Sets

OPTIONS

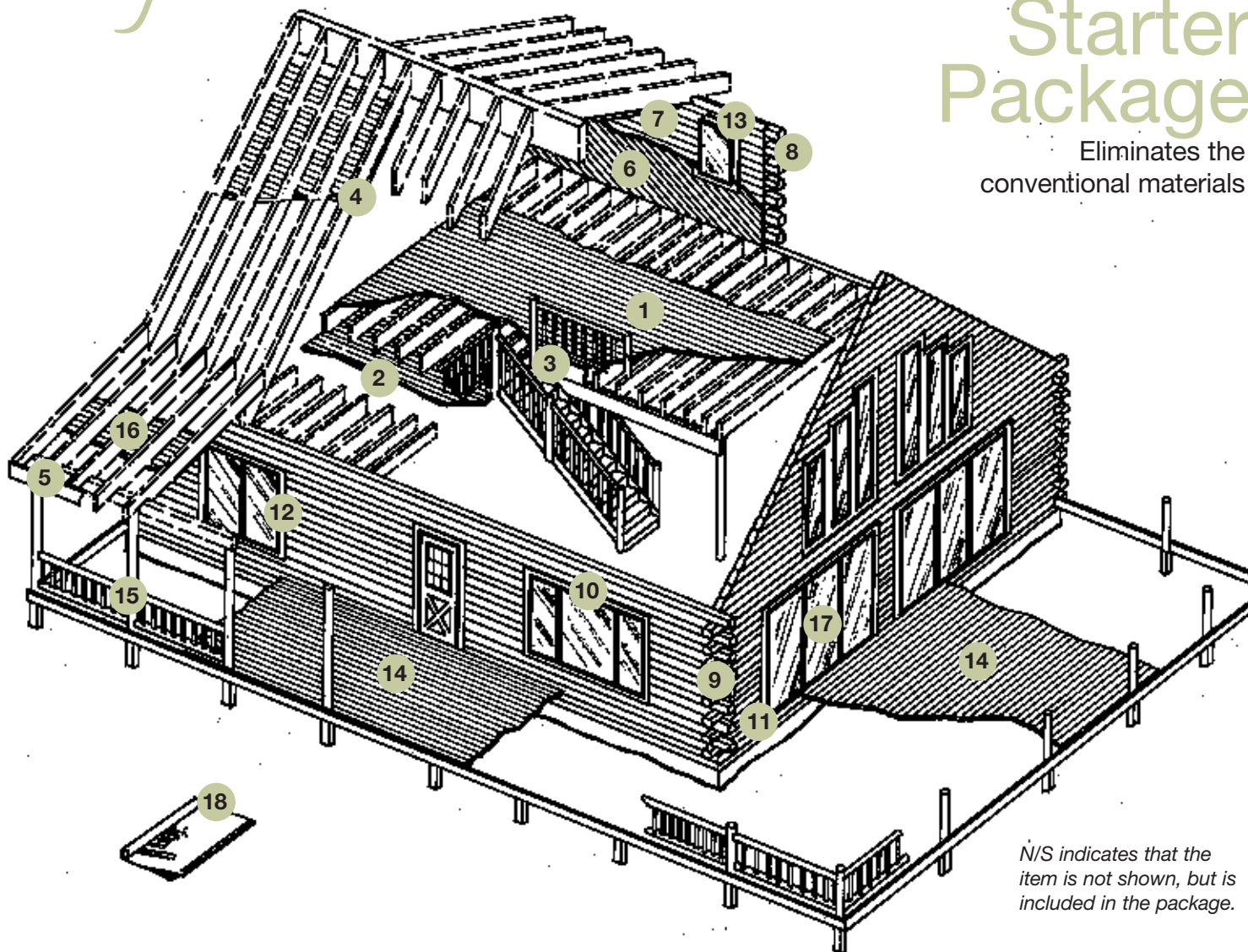
- 1x6 or 1x8 T & G White Pine Paneling for Interior Partition Walls
- Log Siding for Interior Partition Walls
- 1x6 or 1x8 T & G White Pine Flooring for First Floor
- Hardwood Flooring
- Rustic Stairs
- Decorative Rafters
- 40-Year Shingles
- Grills for Windows
- Hand-Peeled Log Mantle

System

See page 18

Starter Package

Eliminates the conventional materials



N/S indicates that the item is not shown, but is included in the package.

SECOND FLOOR SYSTEM

1. 1" T & G White Pine Flooring
2. 1" T & G White Pine 1st Floor Ceiling
3. Handcrafted White Cedar Posts, Railings & Spindles for Stairs & Loft Included

ROOF SYSTEM

4. 1" T & G White Pine Ceilings & Soffit
5. Cedar Facia Board

DORMERS

6. 1" T & G White Pine Paneling
7. 1" T & G White Pine Ceiling
8. Cedar Log Siding (Full Corners Optional)

EXTERIOR WALLS

9. Solid Cedar T & G Logs
 10. Header Logs for Over Windows & Doors
 11. Cedar Trim Logs
 12. 2x6 Cedar Exterior Window Trim
 13. 1x4 White Pine Interior Window Trim
- Log Gasket Included N/S
 - Joint Gasket Included N/S
 - Oly-Log Screws Included N/S
 - Exterior Log Walls Protective Stain Included N/S

PORCHES & DECKS

14. 2x6 White Cedar Decking
15. Handcrafted White Cedar Posts, Railings & Spindles
16. 1" T & G White Pine Ceiling

WINDOWS & DOORS (Optional)

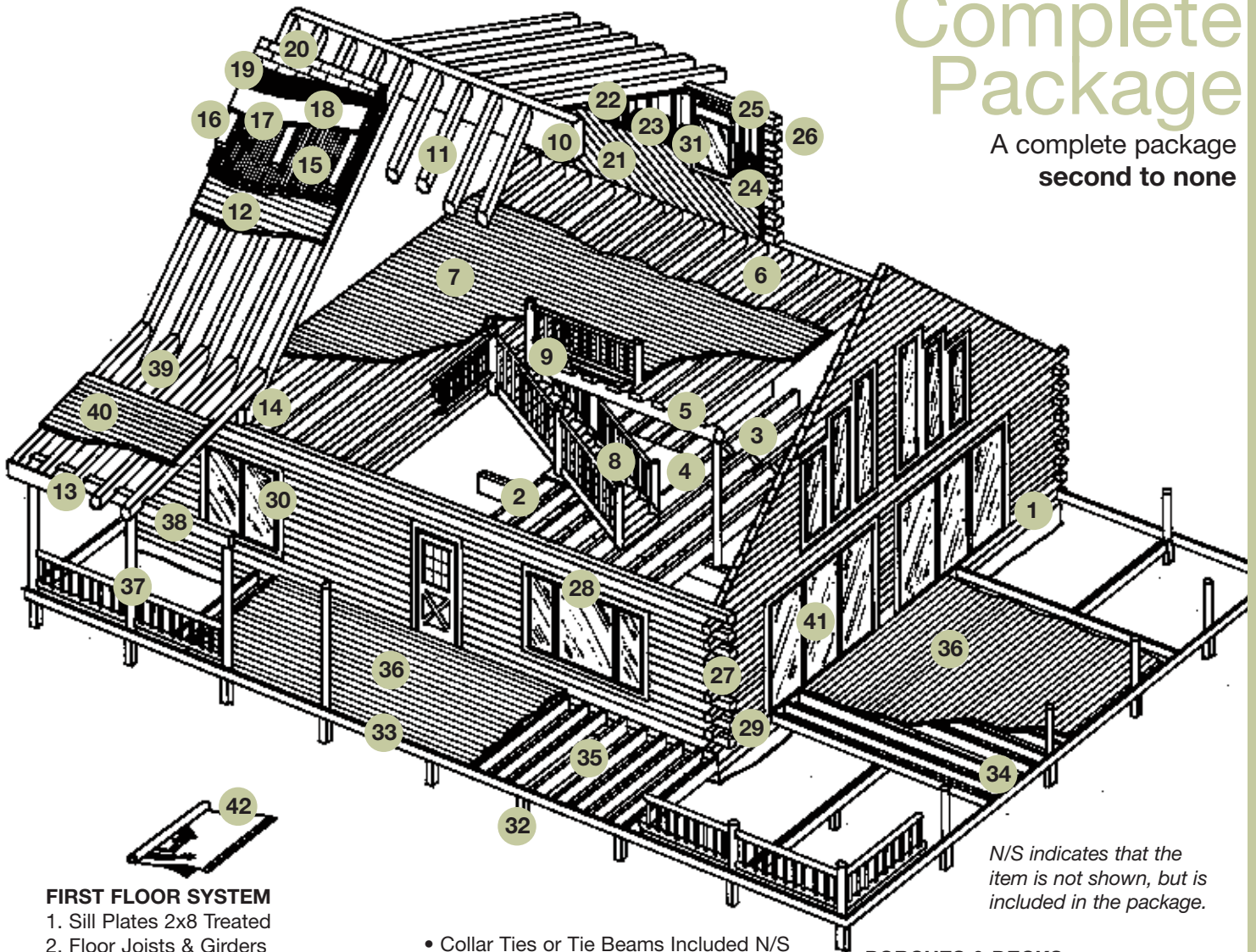
17. High Performance "SMART - R" / Exterior Clad / Low E Glass w/ Full Screens

CUSTOM BLUEPRINTS

18. 10 Full Sets

Rustic Complete Package

A complete package
second to none



N/S indicates that the item is not shown, but is included in the package.

FIRST FLOOR SYSTEM

1. Sill Plates 2x8 Treated
2. Floor Joists & Girders
3. Bridging
4. Sub Floor 3/4" T & G Sheathing
- Sill Seal Included N/S
- Flashing Included N/S
- Basement Stairs Included N/S
- Jack Posts Included N/S

SECOND FLOOR SYSTEM

5. Rustic Log or Rustic Beam Columns & Girders
6. Rustic Log or Rustic Beam Floor Joists
7. 2" T & G White Pine Flooring
8. Knotty Pine Stairs Included
9. Handcrafted White Cedar Posts, Railings & Spindles for Stairs & Loft Included

ROOF SYSTEM

10. Architectural Glu Lam Ridge Beam
11. Rustic Log or Rustic Beam Rafters
12. 2" T & G White Pine Ceilings & Soffit
13. Cedar Fascia Board
14. Cedar Snow Blocking
15. 4" High Performance Ridged Insulation
16. 2x4 Sleepers for Air Space
17. 1/2" Roof Sheathing w/ Clips
18. Ice & Water Shield
19. 30 lb. Felt Paper
20. 30-Year Dimensional Shingles

- Collar Ties or Tie Beams Included N/S
- Ridge Vent Included N/S
- Soffit Vent Included N/S
- Drip Edge Included N/S

DORMERS

21. 1" T & G White Pine Paneling
22. 1" T & G White Pine Ceiling
23. 2x6 Stud Wall Framing
24. R-19 Fiberglass Insulation
25. 1/2" Exterior Sheathing & House Wrap
26. Cedar Log Siding (Full Corners Optional)
- All Roofing as Required

EXTERIOR WALLS

27. Solid Cedar T & G Logs
28. Header Logs for Over Windows & Doors
29. Cedar Trim Logs
30. 2x6 Cedar Exterior Window Trim
31. 1x4 White Pine Interior Window Trim
- Log Gasket Included N/S
- Joint Gasket Included N/S
- Oly-Log Screws Included N/S
- Exterior Log Walls Protective Stain Included N/S

INTERIOR PARTITION WALLS

- All Interior Partition Walls Included N/S
- All Interior Entrance Doors / Closet Doors & Hardware Included N/S
- All Interior Trim & Baseboard Included N/S

PORCHES & DECKS

32. 6x6 Treated Support Posts
33. Treated Rim Joists
34. 2x Hangers
35. 2x8 Treated Floor Joists
36. 2x6 White Cedar Decking
37. Handcrafted White Cedar Posts, Railings & Spindles
38. 6x6 Porch Headers
39. Rustic Log or Rustic Beam Rafters
40. 2" T & G White Pine Ceiling
- All Roofing as Required

WINDOWS & DOORS

41. High Performance "SMART - R" / Exterior Clad / Low E Glass w/ Full Screens

CUSTOM BLUEPRINTS

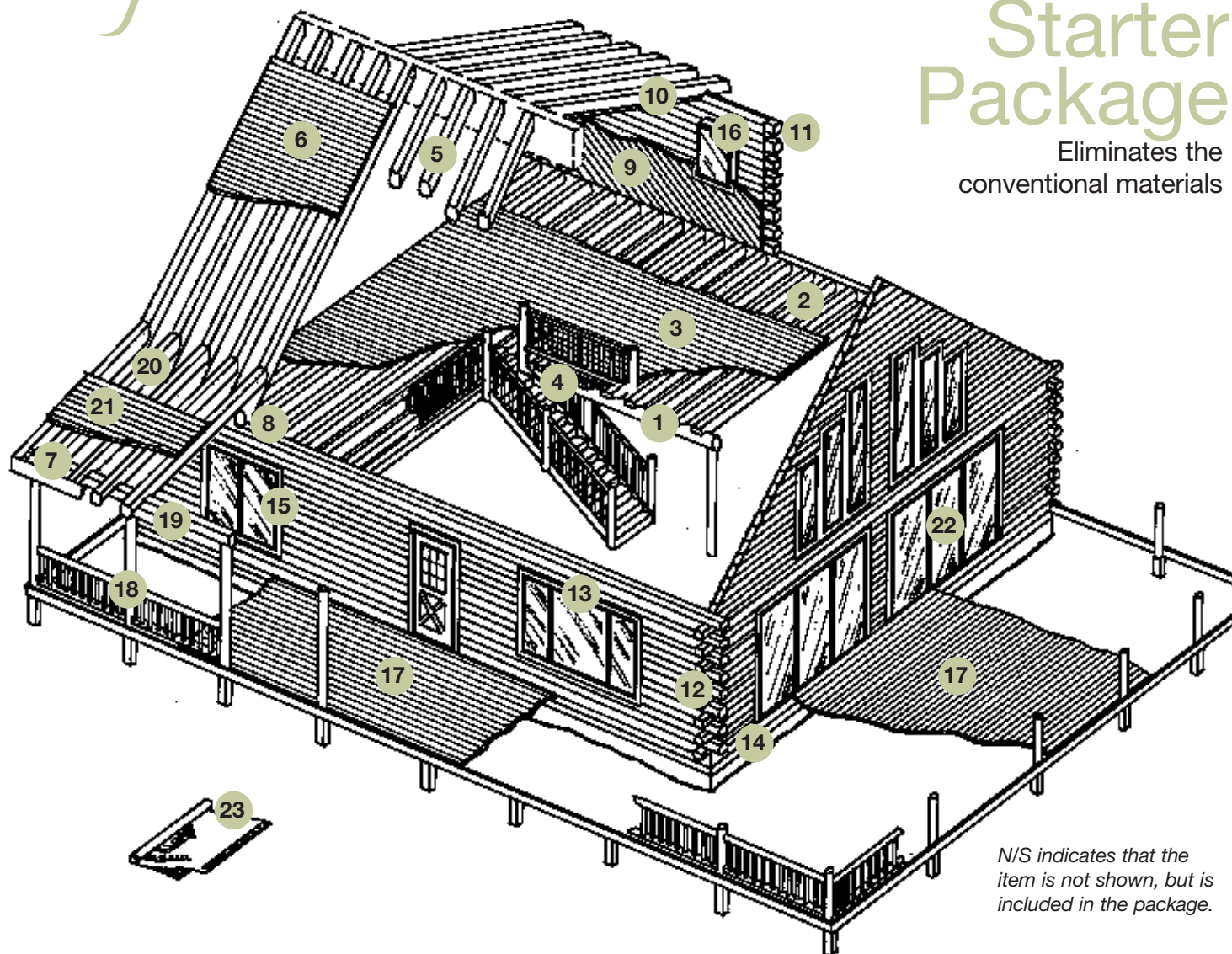
42. 10 Full Sets

OPTIONS

- 1x6 or 1x8 T & G White Pine Paneling for Interior Partition Walls
- Log Siding for Interior Partition Walls
- 1x6 or 1x8 T & G White Pine Flooring for First Floor
- Hardwood Flooring
- Rustic Stairs
- 40-Year Shingles
- Grills for Windows
- Hand-Peeled Log Mantle

Starter Package

Eliminates the conventional materials



N/S indicates that the item is not shown, but is included in the package.

SECOND FLOOR SYSTEM

1. Rustic Log or Rustic Beam Columns & Girders
2. Rustic Log or Rustic Beam Floor Joists
3. 2" T & G White Pine Flooring
4. Handcrafted White Cedar Posts Railings & Spindles for Stairs & Loft Included

ROOF SYSTEM

5. Rustic Log or Rustic Beam Rafters
6. 2" T & G White Pine Ceilings & Soffit
7. Cedar Fascia Board
8. Cedar Snow Blocking
- Collar Ties or Tie Beams Included N/S

DORMERS

9. 1" T & G White Pine Paneling
10. 1" T & G White Pine Ceiling
11. Cedar Log Siding (Full Corners Optional)

EXTERIOR WALLS

12. Solid Cedar T & G Logs
13. Header Logs for Over Windows & Doors
14. Cedar Trim Logs
15. 2x6 Cedar Exterior Window Trim
16. 1x4 White Pine Interior Window Trim
- Log Gasket Included N/S
- Joint Gasket Included N/S
- Oly-Log Screws Included N/S
- Exterior Log Walls Protective Stain Included N/S

PORCHES & DECKS

17. 2x6 White Cedar Decking
18. Handcrafted White Cedar Posts, Railings & Spindles
19. 6x6 Porch Headers
20. Rustic Log or Rustic Beam Rafters
21. 2" T & G White Pine Ceiling

WINDOWS & DOORS (optional)

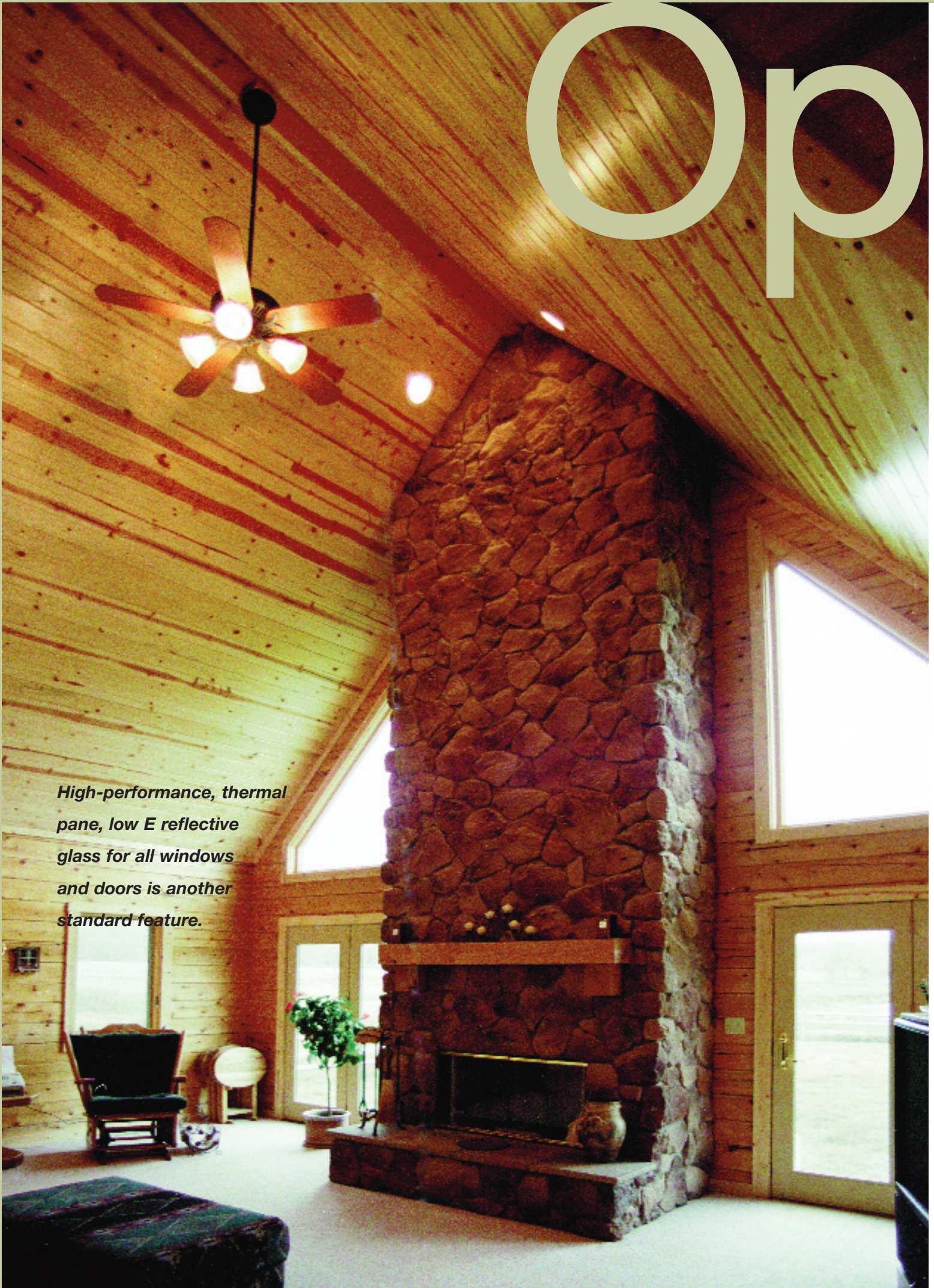
22. High Performance "SMART - R" / Exterior Clad / Low E Glass w/ Full Screens

CUSTOM BLUEPRINTS

23. 10 Full Sets

Op

High-performance, thermal pane, low E reflective glass for all windows and doors is another standard feature.



tions

The Neumeister Family

When the Neumeisters decided to build a cedar log home, they spent a lot of time deciding just how they wanted their home to be designed. In fact, Fred used software to lay out the home design – and focused on the **features, colors and styles they liked best from a myriad of plans and photos.**

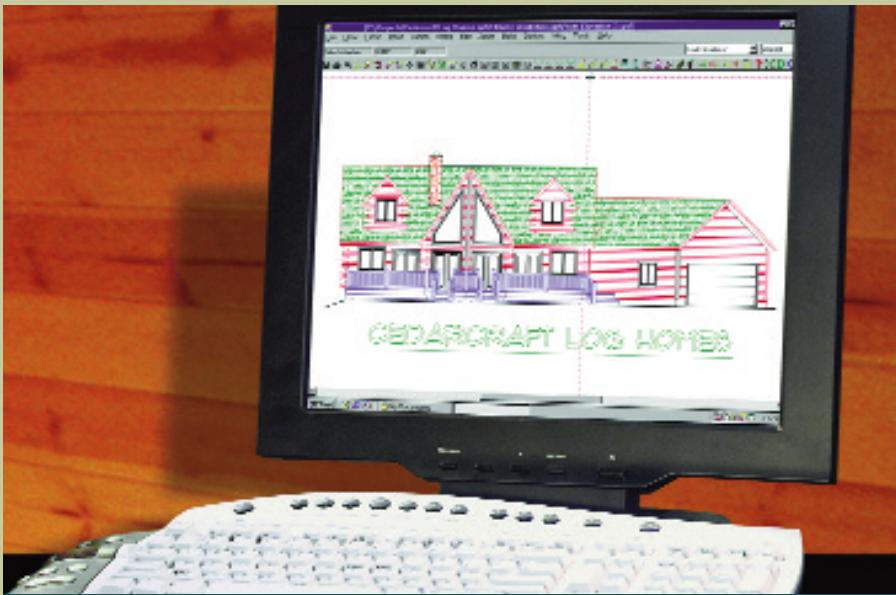
Fred explains, “Our home has a **lot of features** people tend to gravitate to – a **cathedral ceiling, stone fireplace, loft, gorgeous front porch, and an open floor plan.** While the house was going up, people would stop by to see it.”

According to Fred, when they were painting the interior, they spent half of their time giving tours to strangers who wanted to see the house and had stopped by unannounced! Today, when the kids and grandkids gather at their home, everyone congregates in the kitchen – which is open to the stunning great room.

“I know it sounds a little corny, but **our dream came true!** It was well worth it.”

All porches and decks include chemical-free 2” white cedar decking.





Take the next step

We invite you to
take a closer look.

Simply call us to make an appointment to **visit our showroom and models.** See and feel samples of northern white cedar and western red cedar. Learn about options for interiors and exteriors. Check out the variety of log wall and corner systems. Browse through our **many beautiful floor plans** or bring your own.

We offer short seminars, giving you key facts explaining how you can **easily save thousands of dollars** on your log home package. And, you can view a brief presentation that shows our **Amish construction crews** in action.

We'll answer all your questions, help you choose or create a floor plan, and provide you an affordable cost estimate. At Cedarcraft, we are committed to providing you with exceptional customer service – and a **superior log home.**

MODEL	SQ. FT.	BEDROOMS	BATHS	PAGE
Alpine	2,186	3	2.5	29
Andover	1,372	3	1	30
Auburn	2,765	3	2	31
Aurora	3,084	3	2.5	32
Bayside	2,056	3	2.5	33
Burton	1,960	3	2	34
Catawba	1,400	3	2	35
Chardon	1,056	2	1	36
Chesterland	4,104	4	3	37
Concord	3,095	2	2.5	38
Geneva	2,100	3	2.5	39
Hambden	1,624	4	2	40
Hudson	2,540	2	2.5	41
Huntsburg	2,130	3	2	42
Lakewood	2,660	3	2.5	43
Little Mountain	1,728	3	2	44
Madison	2,990	4	3	45
Medina	2,438	3	2.5	46
Montville	2,286	3	3	47
North Bay	2,776	5	3	48
Ravenna	1,858	2	2	49
Riverside	2,194	4	2	50
Rock Creek	2,028	3	2	51
Rock Wood	2,400	3	2	52
Saybrook	1,456	2	1.5	53
Sherwood	1,700	3	2	54
Summit	1,216	2	1	55
Timberlake	2,884	3	3	56
West Bay	2,278	3	2	57
Westlake	2,575	3	2.5	58
Willoughby	2,554	3	2.5	59
Windsor	3,176	4	3	60



Let Cedarcraft Log Homes make your dream home a reality.



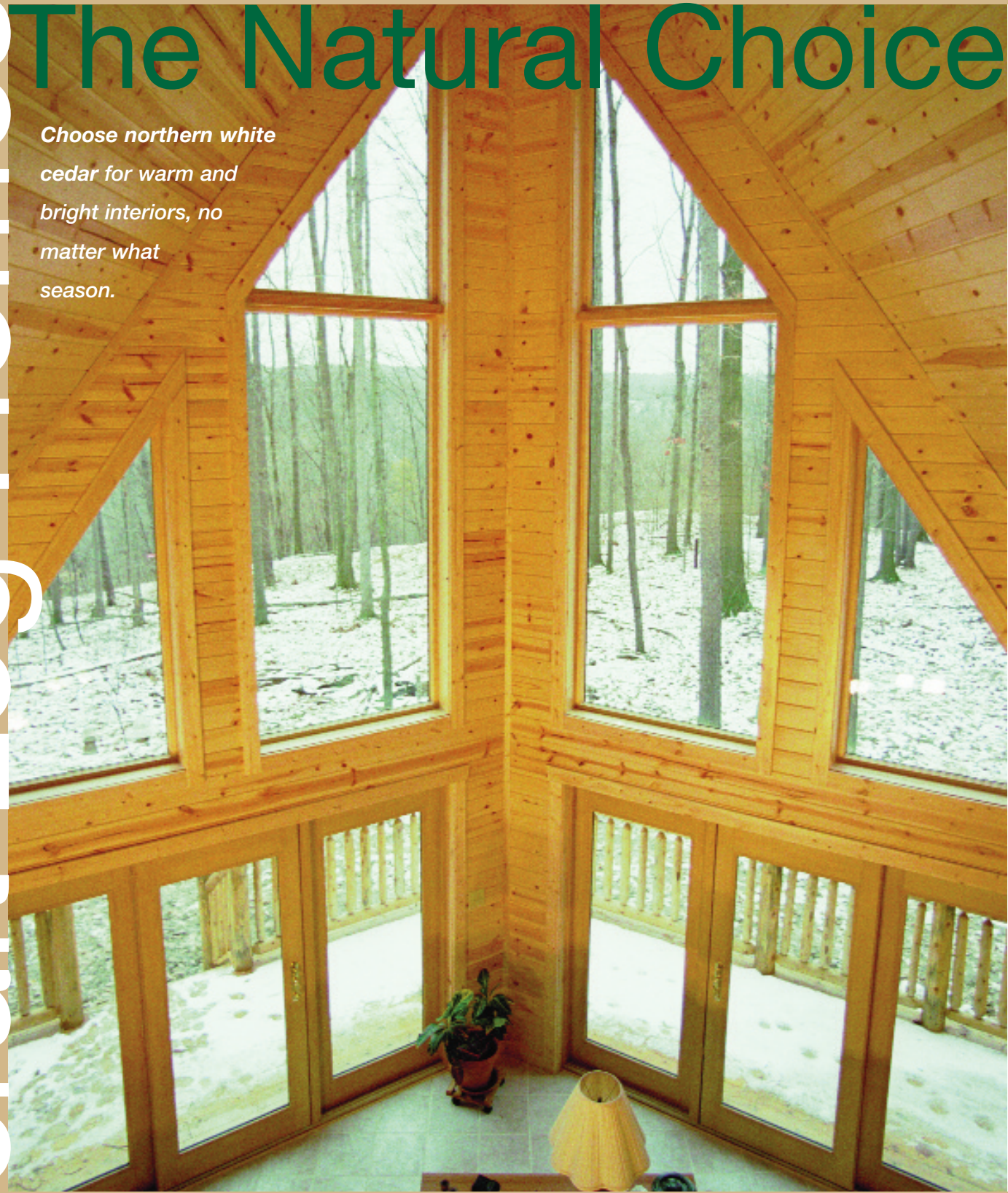
Do your “homework.” Research, ask questions, explore options. Discover for yourself why **northern white cedar beats pine** for quality and beauty...why Amish-built homes **stand the test of time and weather**...and how our **mill-direct pricing** makes a **northern white cedar log home** the clear choice.

Live Your Dream

Cedarcraft Log Homes

The Natural Choice

Choose northern white cedar for warm and bright interiors, no matter what season.



440.487.6656
www.cedarcraftloghomes.com